

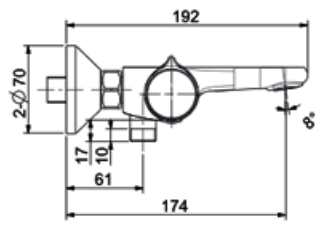
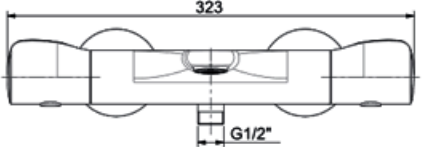
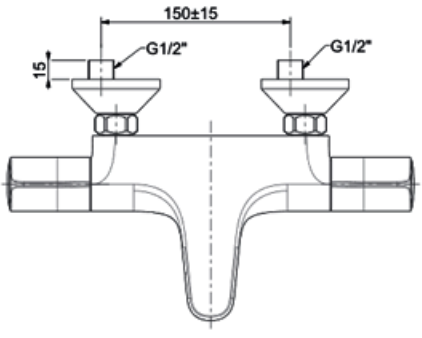




PROJECT		REF		REV	ITEM CODE	
LOCATION		DATE			PAGE	

SANITARY WARE SPECIFICATION SHEET

Item Descriptions	American Standard (PRC) "Temptacion" chrome plated auto temperature Safety-Lock button-blocks water temperature at 38°C with CoolShield-SpaceCreate designed bath & shower mixer	<p align="center">Illustration/ Drawing</p>     
Dimensions	L323 x W192 x H70 mm	
Model	FFAS4949-609500BC0	
Finish	Chrome Plated	
Manufacturer	American Standard (PRC)	
Source	Acme Sanitary Ware Co. Ltd Mr. Eric Wong / Mr. Wilson Hung	
Contact Tel/Fax	(852) 2388-7171 / (852) 2710-8012	
E-mail	acme@acmesanitary.com.hk	
Website	www.acmesanitary.com.hk	
<p>Thermostats market is getting bigger - there are more demands from M and Esegment. Consumers travel more and experience the thermostat from hotels (So it's considered as a luxury products). Consumers choose bigger head or hand showers, and shower system's demand is higher. No fluctuation and comfortable spray is the key of the showering experience. Safety is important for the family has the elderly and kids.</p> <p>Features and Benefits</p> <ul style="list-style-type: none"> • Leverage the technology under Lixil Water Technology (Cartridge and diverter) • A grade brass, strong and durable • High quality THM valve for utmost precision, with Anti-scald button • 90°Ceramic disc valve for longer usage and tested = 500,000 times • Focus on basic benefits from thermostats – Safety, Eco saving and comfort/Convenient • Simple and minimalism design • Multi functional – shelf type of surface on top • CoolShield body make sure low risk of the scalding by touching the surface of body • SpaceCreate – Designed with shelf space to hold toiletries and accessories • Easy to use - Integrated diverter combines the volume controller with diverter, easy to change the water way and volume 		

Note:

* All information of the above is for the reference only. No prior notice is made if any changes.



3. CoolShield

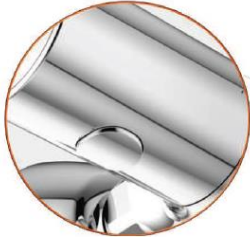
Body of faucet stays cool and prevents scalding shocks

2. ThermoSafe

Safety temperature control up to 49°C, with an auto shut-off function when cold water supply fails.

ThermoComfort

Provides a constant and comfortable temperature



1. Safety Lock

A Child-safety feature that blocks water temperature at 38°C. To increase temperature, press the button and turn up the temperature control handle.

4. Volume Controller with integrated diverter:

In a bath & shower mixer, it also functions as a diverter between hand shower and spout.

5. Eco-Lock

Less water wastage as the need to manually adjust the valve to reach the ideal temperature is eliminated.

6. Ergonomic Handle

Designed with an anti-slip wing for better grasp when turning the handle.

7. SpaceCreate

Designed with a shelf to hold toiletries and accessories



1. Integrated Diverter from INAX

2. Semi Cool Surface (CoolShield)

3. Eco Button (Button below the handle)

4. Hidden aerator

5. **German thermostatic cartridge**

6. ABS Handle, Chrome Finish

7. Cast Brass Body, Chrome Finish

8. W/o Hand Shower

9. Flat surface on top-function as a shelf for small toiletries (SpaceCreate)

1. Twist the temperature handle to set your ideal temperature.

2. Twist the volume handle to start the shower and increase / decrease the volume of your output flow.



WATER-SAVING

Water-saving for ecological and economical sense.

COOLSHIELD

Body of faucet stays cool and prevents scalding shocks.

THERMOCOMFORT

Provides a constant and comfortable temperature.

THERMOSAFE

Safety temperature control up to 49°C, with an auto shut-off function when cold water supply fails.

SPACECREATE

Creates extra usable space in the bathroom.



水務署
Water Supplies Department

總部 Headquarters

香港灣仔告士打道七號入境事務大樓 48 樓

Immigration Tower, 7 Gloucester Road, Wan Chai, Hong Kong



本署
Our
來函
Your request

W/ 21/19 T/J(597/2019)

電話
Tel.
傳真
Fax.

: 2824 0578

28 February 2020



Dear Sir,

**Approval of "AMERICAN STANDARD" Bath/Shower Mixer
(General Acceptance No. C20200115)**

Your letter ref. WRC/2075 dated 18 June 2019 and subsequent submissions received by this department up to 20 January 2020 refer.

Having considered the test report ref. J24235r2 issued on 13 December 2019 by Nutek Systems (HK) Ltd., this Authority accepts that the fitting described below complies with, and its use when correctly installed does not contravene, the Waterworks Ordinance and Regulations.

Name of Manufacturer: American Standard

Country of Origin: the Mainland of China

Brand: American Standard

Details of Fitting: 1/2" Thermostatic bath and shower mixer

Model: FFAS4949-609500BX0
(where the digit "X" denotes the code of region)

Body Markings: *American Standard*

Expiry Date: 6 May 2024



This Authority hereby permits the use of the above fitting in fresh water plumbing systems subject to full adherence to Waterworks installation requirements. In particular, you are required to draw your customers' attention to the following requirement-

"The cold water supply to the fitting shall be drawn from the same source that supplies the hot water apparatus so as to provide a balanced pressure and to obviate the risk of scalding in the event of a restriction or failure in the water supply." AND

"The shower head or handspray should not be placed in submerged conditions and should be securely fixed to the original position after use."

A condition of this acceptance is that the fitting to be installed shall be replicas of the sample as certified by the testing agent mentioned above and without modifications. This acceptance may be withdrawn at any time if the standard of the fitting installed fails to meet that of the approved sample or if the fitting is found to be unsuitable for use in fresh water plumbing systems.

This acceptance is only applicable to the main body of the fitting, unless otherwise specified.

For the use of the fitting in any project, the General Acceptance Number of this letter must be quoted as a means of identification of acceptance of the fitting by this Authority.

Should you have any enquiries, please contact our Engineer Mr. Terry KUNG at tel. no. 3583 4086.

Yours faithfully,



(CHAN Chung-kun)

for Director of Water Supplies

Encl.

c.c. WSD 3321/1/82] - without catalogue
ME/MC] - with soft copy only